

VEGADIS 82

4 ... 20 mA/HART

External display and adjustment unit without additional external energy



Application area

VEGADIS 82 is suitable for measured value indication and adjustment of sensors with HART protocol. The instrument is looped directly into the 4 ... 20 mA signal line at any location. Separate external energy is not necessary. VEGADIS 82 also operates exclusively as an indicating instrument in a 4 ... 20 mA current loop.

Your benefit

- Good readability through clear DOT matrix display with easy 4-key adjustment as well as integrated display lighting
- Readability and operability facilitated on site by the display and adjustment module which can be plugged in in 90° rotational steps

Function

When used with a 4 ... 20 mA/HART sensor, the VEGADIS 82 operates as display and HART adjustment unit. The parameter adjustment of the sensor is carried out via HART communication. During the parameter adjustment, the VEGADIS 82 works as a Primary or Secondary Master to the sensor.

The housing of VEGADIS 82 contains a filter element for ventilation. Hence the instrument is also used for atmospheric pressure compensation of a connected submersible pressure transmitter VEGAWELL 52.

The VEGADIS 82 can also be used as an external indicating device for a four-wire sensor or a VEGAMET signal conditioning instrument with active 4 ... 20 mA output.

Technical data

General data

Materials

- Housing plastic PBT, Alu die-casting, 316L
- Inspection window in housing cover for display and adjustment module Polycarbonate (UL-746-C listed)
- Ground terminal 316Ti/316L

Weight approx. 0.35 kg (0.772 lbs)

Signal and supply circuit

Voltage loss (4 ... 20 mA)

- Without lighting max. 1.7 V
- With lighting max. 3.2 V

Current range 3.5 ... 22.5 mA

Display and adjustment module

Indication LC display in dot matrix

Adjustment elements 4 keys

Protection rating

- unassembled IP 20
- mounted into VEGADIS 82 without cover IP 40

Materials

- Housing ABS
- Inspection window Polyester foil

Ambient conditions

Storage and transport temperature -40 ... +80 °C (-40 ... +176 °F)

Ambient temperature -15 ... +70 °C (+5 ... +158 °F)

Electromechanical data

Options of the cable entry

- Cable gland M20 x 1.5 (cable: ø 5 ... 9 mm)
- Cable entry ½ NPT

Wire cross-section (spring-loaded terminals)

- Massive wire, stranded 0.2 ... 2.5 mm² (AWG 24 ... 14) wire
- Stranded wire with end sleeve 0.2 ... 1.5 mm² (AWG 24 ... 16)

Electrical protective measures

Protection rating

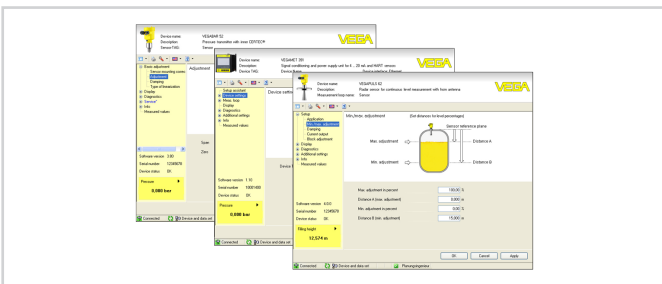
- Housing, plastic IP 66/IP 67, NEMA 4X
- Housing for panel mounting (mounted) IP 40/IP 65
- Housing Aluminium, stainless steel IP 66/IP 68 (0.2 bar), NEMA 6P

Approvals

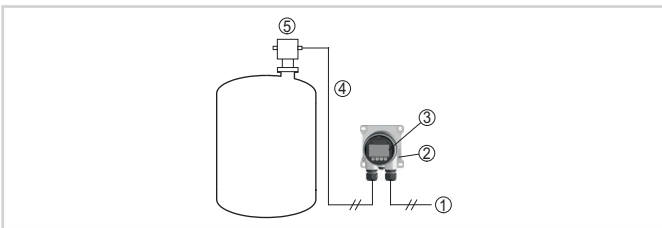
You can find detailed information on the existing approvals in the "configurator" on our homepage at www.vega.com/configurator.

Operation

The adjustment of the instrument is carried out via the optional display and adjustment module PLICSCOM or via a PC with the adjustment software PACTware and corresponding DTM.

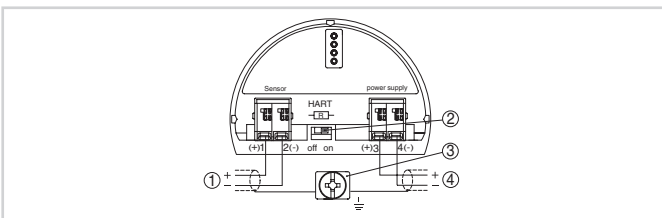


Electrical connection



Connection of the VEGADIS 82 to the sensor, adjustment via the display and adjustment module

- 1 Voltage supply/Signal output sensor
- 2 VEGADIS 82
- 3 Display and adjustment module
- 4 4 ... 20 mA/HART signal cable
- 5 Sensor

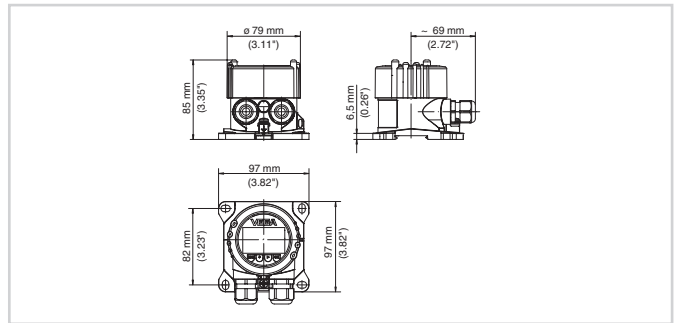


Wiring plan VEGADIS 82 4 ... 20 mA/HART

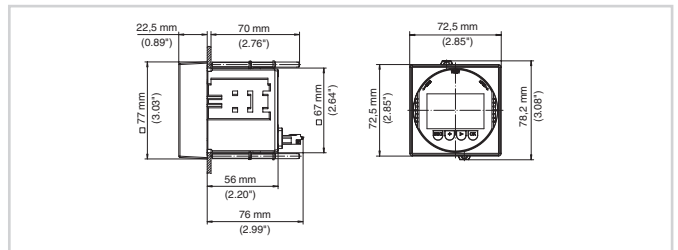
- 1 To the sensor
- 2 Switch for communication resistor (on = activated, off = deactivated)
- 3 Ground terminal for connection of the cable screen
- 4 For power supply

You can find details on electrical connection in the instrument operating instructions at www.vega.com/downloads.

Dimensions



VEGADIS 82 with plastic housing



VEGADIS 82 with plastic housing for panel mounting

Information

You can find further information on the VEGA product line on our homepage www.vega.com. In the download section under www.vega.com/downloads you'll find free operating instructions, product information, brochures, approval documents, instrument drawings and much, much more.

Contact

You can find the VEGA agency serving your area on our homepage www.vega.com.